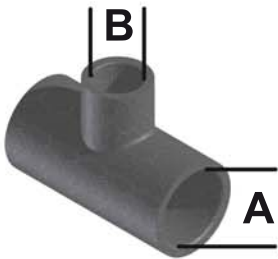


# SIKA Flow Switches VKX... for PVC Pipes\*









PVC Tee



Installation example



	A	B	SIKA Flow Switch	Glue-in Adapter
	1/2"	1/2"	 Art.-No. VKX15M2P1UPU20 does not match into Nibco 1/2" tees	For 1/2" stem (B)  Art.-No. VH1196
	3/4"	3/4"	 Art.-No. VKX20M2P1UPU20	For 3/4" stem (B)  Art.-No. VH1195
	1"	3/4"	 Art.-No. VKX05M2P1UPU20	For 3/4" stem (B)  Art.-No. VH1195
	1 1/2"	3/4"		
	2"	3/4"		

\*Valid for tees of Spears and Nibco. Tees of other brands may not match with the flow switches or the paddle has to be trimmed to other lengths.